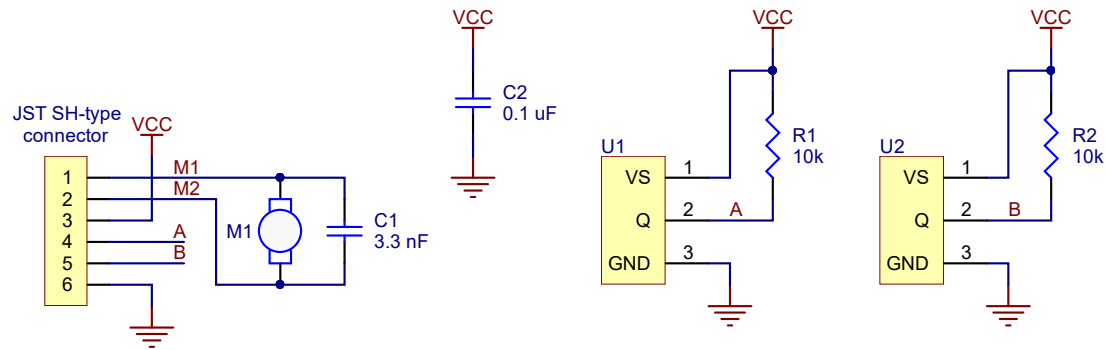


Magnetic Encoder Pair Kit with JST SH-Type Connector (Top-Entry or Side-Entry) for Micro Metal Gearmotors

©2019 Pololu Corporation
www.pololu.com



Note: U1 and U2 are Hall Effect sensor ICs in SOT-23 packages, e.g. DRV5013.